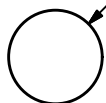


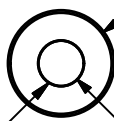
LED SCHEMATIC

RECOMMENDED  
PANEL MOUNTING  
1-6mm THICKNESS



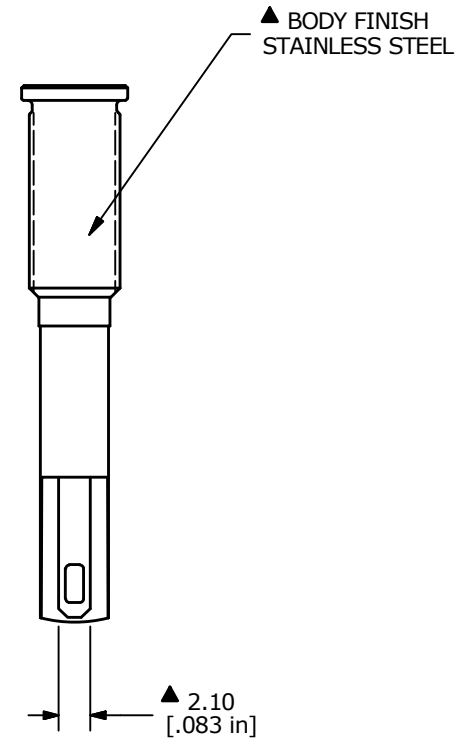
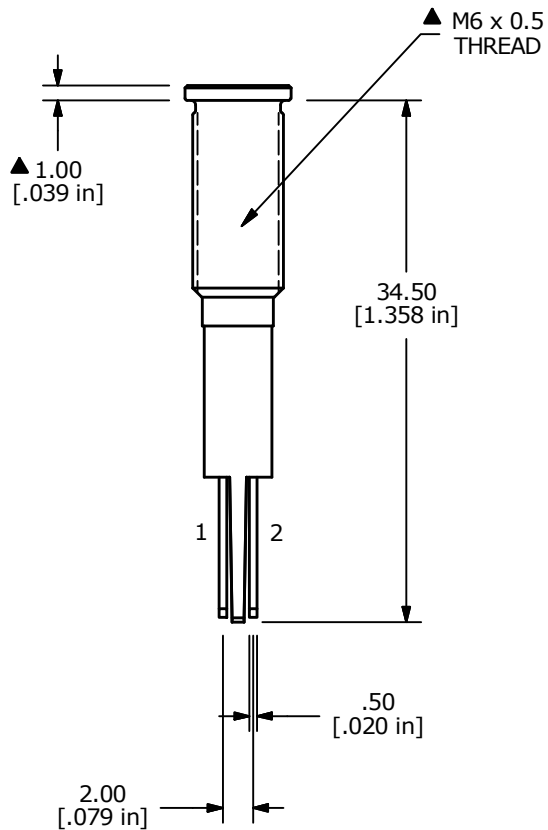
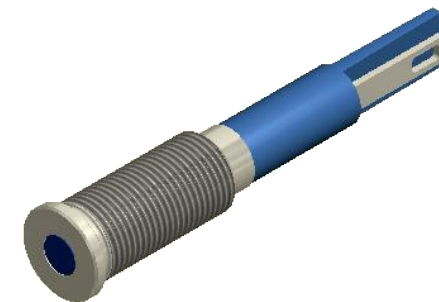
ø6.20  
[.244 in]

▲ BLUE LENS



ø7.00  
[.276 in]

ø3.00  
[.118 in]



- NOTE:
1. ALL DIMENSIONS IN MM [INCH]
  2. GENERAL TOLERANCE: X.X = ±0.4  
X.XX = ±0.25
  3. TERMINAL NUMBERS FOR REF ONLY
  4. OPERATING TEMP: -25°C to 55°C
  5. CURRENT RATING: 2mA-20mA
  - ▲ 6. LAMP VOLTAGE: 2.8V
  7. IP RATING: IP67
  8. ▲ DENOTES CRITICAL PARAMETER.
  9. HARDWARE SUPPLIED: O-RING AND HEXNUT
  10. 2011/65/EU (ROHS) COMPLIANT.



A	22482	NEW RELEASE	9/2/16	MJR
REV	PCR NO	DESCRIPTION	DATE	BY

TITLE PVL06FLS41				
SCALE 2:1	DATE 9/2/2016	DR MJR	DWG 52-PVL06FLS41	REV A

THE INFORMATION CONTAINED IN THIS DOCUMENT IS PROPRIETARY TO E-SWITCH AND IS NOT TO BE COPIED OR TRANSFERRED